



can **your** debarker do **this?**

Ours does.

hickory



maple



cherry



red oak



ash



PO Box #999, 1130 Eastview Drive,
Franklin, IN 46131

tel: +1.317.346.0711
www.VeneerServices.com

Important features:

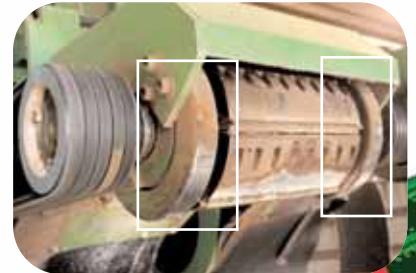
Hydraulic control.



Carriage drive.
4 adjustable Carriage bearings.

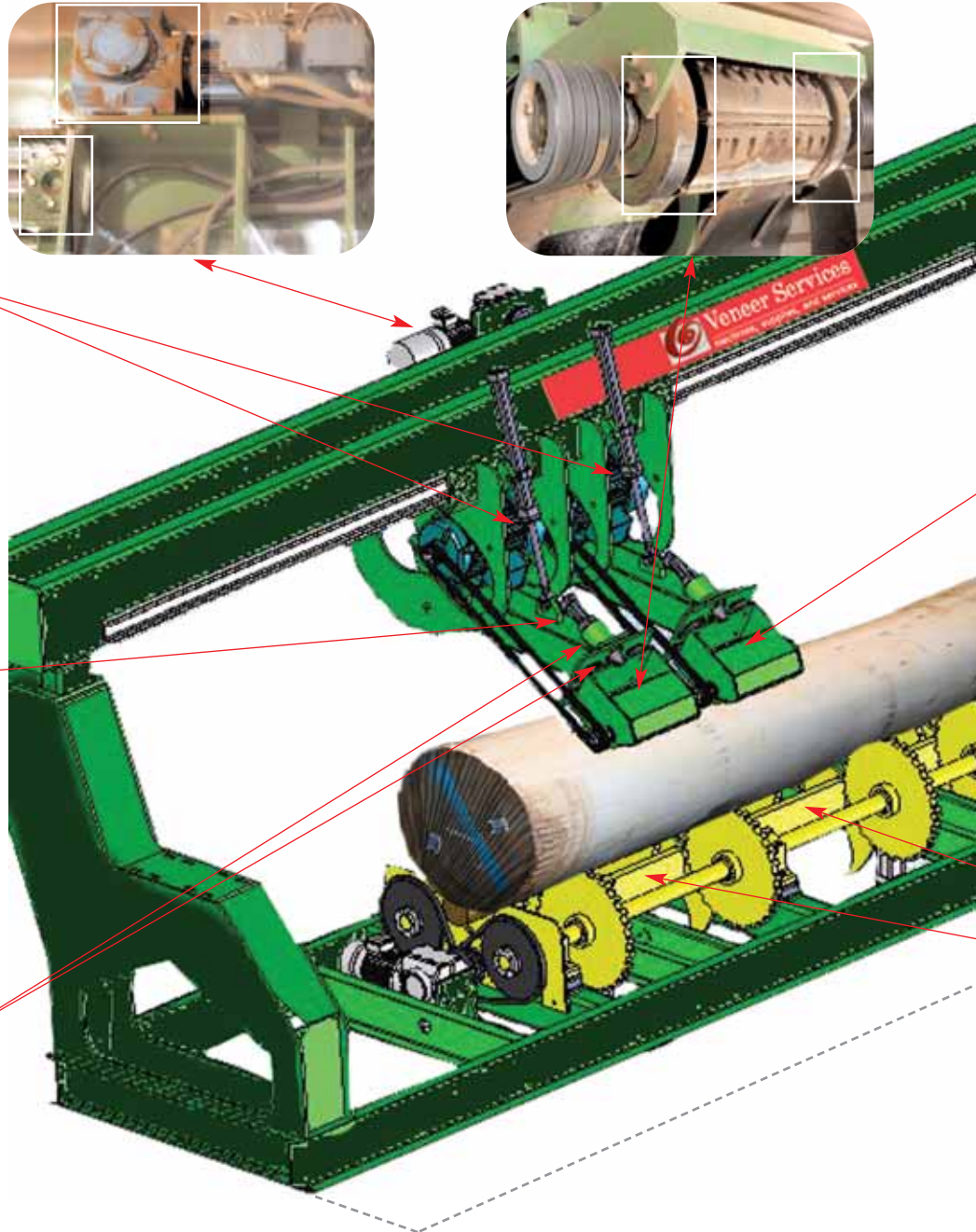
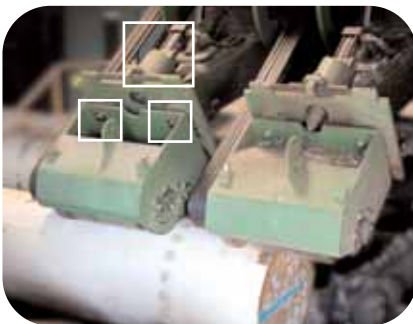


Optional Planer head
2 adjustable depth rings.



One or two Tool arms
with variable down force.

Locking heads.
4 Rubber mounts/head.

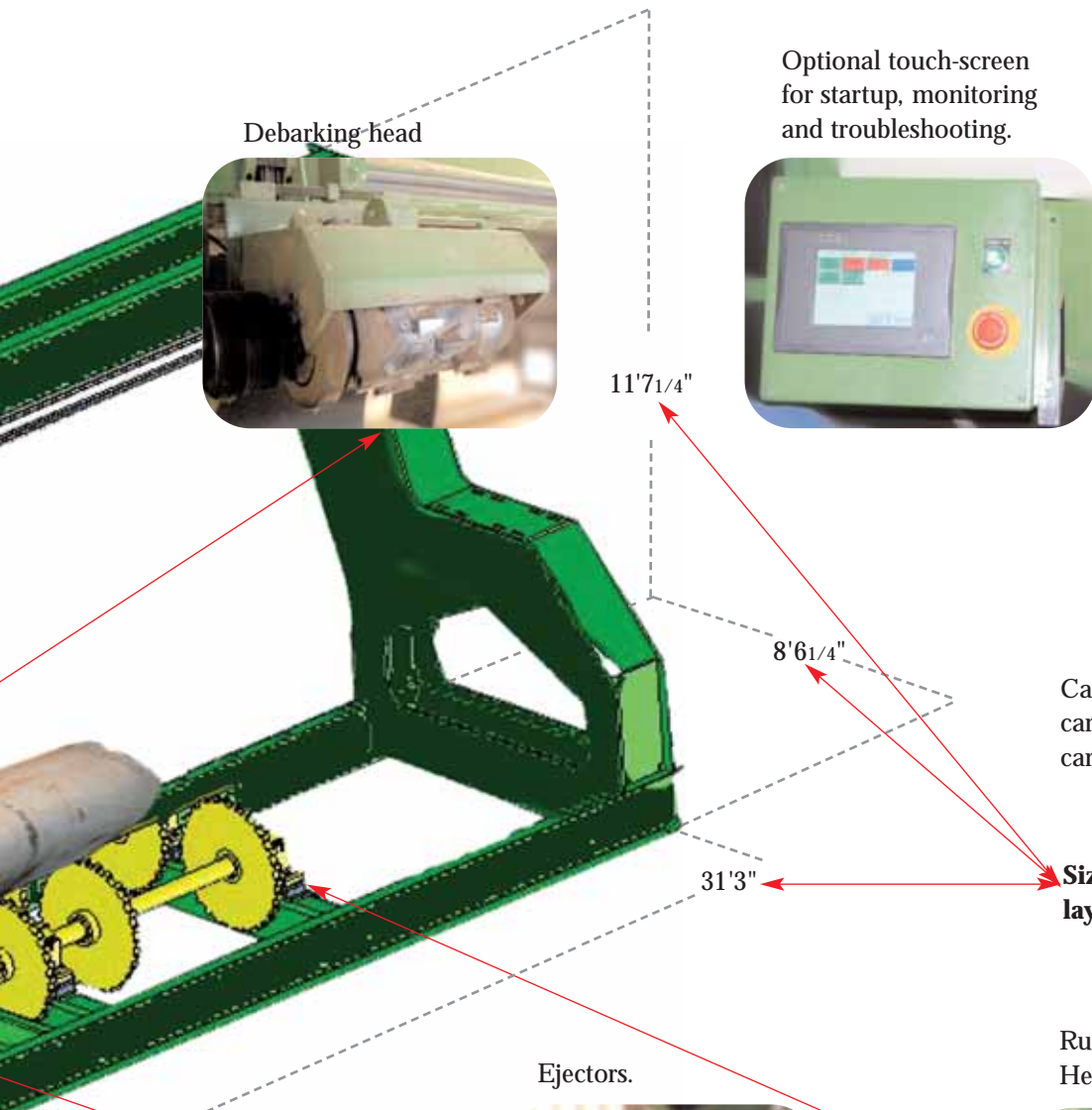


PO Box #999, 1130 Eastview Drive,
Franklin, IN 46131

tel: +1.317.346.0711
www.VeneerServices.com

We organize demonstrations:

Contact us and we will show you our Debarker & Butt reducer system working in a real-life setting.



Debarking head



Optional touch-screen for startup, monitoring and troubleshooting.



Optional ergonomic controls chair+cab with climate control.



11'7 1/4"

8'6 1/4"

31'3"

Can pass through a 36" log with the carriage over the log. Or a 50" log with the carriage at the end.

Sized to retrofit existing layout.

Ejectors.



Rubber mount.
Heavy-duty roller bearings.



PO Box #999, 1130 Eastview Drive,
Franklin, IN 46131

tel: +1.317.346.0711
www.VeneerServices.com

We've designed the perfect Debarker:

- Smooth log surface
- Less usable wood-fiber removed
- No ringing or gouging
- High speed performance
- Steady results on any species (yes, even hickory)
- Pivoting heads follow the log shape, but lock to prevent penciling the ends
- Long life with low maintenance
- Reduced shock & vibration
- Hydraulic controls — precise & constant pressure adjustable at the operator's station.
- Vibration isolation on heads & bull wheels — no bouncing on the log
- Roller bearings on bull wheels

To make the most of your Debarker consider a Veneer Services Butt Reducer.

Technical specifications:

Electrical requirements:

Main voltage As required by Customer

Control voltage 24 VDC

Debarker log specifications:

	standard:	optional:
Log diameter, maximum	40" (1016mm)	up to 60"
Log diameter, minimum	8" (203mm)	-
Log length, maximum	17' (5182mm)	up to 24'
Log length, minimum	7' (2134mm)	-

Machine dimensions:

Length 31'3" (9525mm) custom

Width 8'6 1/4" (2597mm) custom

Height 11'7 1/4" (3537mm) custom

What is the Payback?

Increased yield — no fiber loss

Cleaner logs — less bark, less dirt

Improved scanning

accuracy from a smooth surface

Better sawing solutions

Easier hand planing for veneer mills

Let the machine pay for itself:

Lease the Debarker from us, and let the savings pay for the machine.

For the Lease application go to

www.VeneerServices.com

